

## Standard Preparation Sink for Dishwasher with 2 Bowls & Right Drain

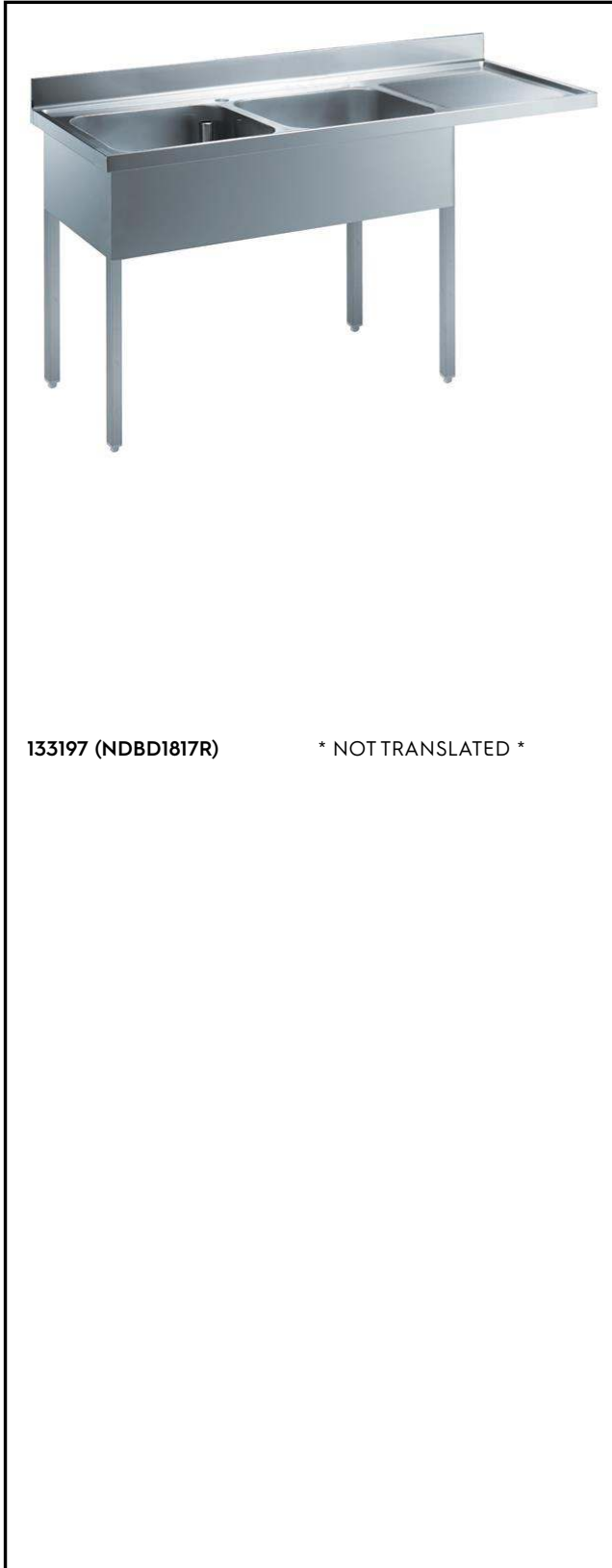
ITEM # \_\_\_\_\_

MODEL # \_\_\_\_\_

NAME # \_\_\_\_\_

SIS # \_\_\_\_\_

AIA # \_\_\_\_\_



133197 (NDBD1817R)

\* NOT TRANSLATED \*

### Main Features

- Sturdiness, stability and reliability of table accurately tested.

### Construction

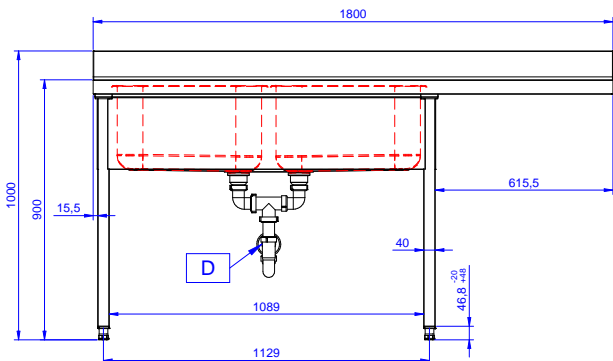
- Sink tops easily slotted onto the legs and taps are easily installed from the rear.
- Square section legs and 40 mm height-adjustable feet in 304 AISI stainless steel.
- 100 mm upstand with 8 mm radiused corner and 13 mm deep, designed to be used against a wall.
- 50 mm worktop in 304 AISI stainless steel, 10/10 in thickness with overflow rim along the top.
- 40 mm-thick lower shelf slots easily into place at a height of 200 mm from the floor. solid shelves supplied as standard, perforated shelves supplied on request.
- Bottom part of drain left free to house an undercounter dishwasher.
- Wide range of taps are available to suit every need.
- Drainage area suitable for drying operations
- 100 mm upstand with 10 mm radiused corner and 13 mm deep.

### Optional Accessories

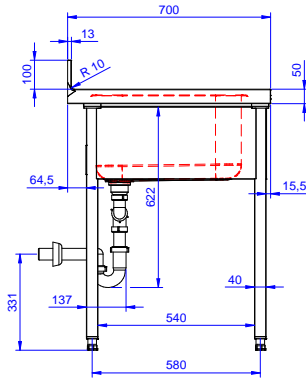
- Double plastic drain syphon 2" PNC 850022
- LOWER SHELF FOR 1200 MM TABLES PNC 855145
- 3-SIDED UNDERFRAME FOR 1200 MM TABLES PNC 855152
- - NOT TRANSLATED - PNC 855299
- Maxi reel retractable hose spray unit, 10m PNC 855320
- Maxi reel retractable hose spray unit, 15m PNC 855321
- Elbow operated mixer tap with spout 3/4", single hole PNC 855322
- Elbow operated mixer tap with short spout 3/4", single hole PNC 855323
- Maxi reel retractable hose spray unit, 6m PNC 855327
- Foot operated mixer tap (hot and cold) with spout 3/4" PNC 855328
- FLOOR FASTENING KIT FOR 2 SQUARE LEGS PNC 865386
- False bottom for right/hand 500x500 bowl PNC 895200
- Single plastic drain syphon 2" PNC 895313

APPROVAL: \_\_\_\_\_

Front

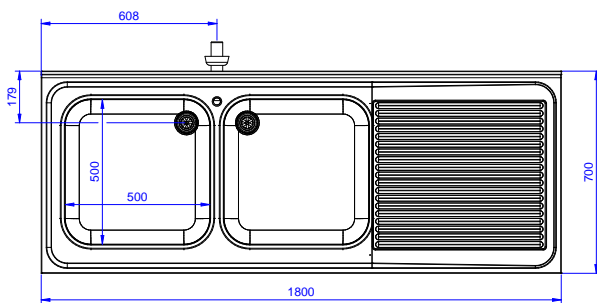


Side



D = Drain

Top



### Key Information:

External dimensions, Width:	1800 mm
133197 (NDBD1817R)	1800 mm
External dimensions, Depth:	700 mm
External dimensions, Height:	1000 mm
Upstand Dimensions, Height:	100 mm
Upstand Dimensions, Depth:	13 mm
Upstand Dimensions, Radius:	R=16
Bowls number	2
Bowl dimensions	500x500xH250
Worktop thickness:	50 mm
Net weight:	62 kg